

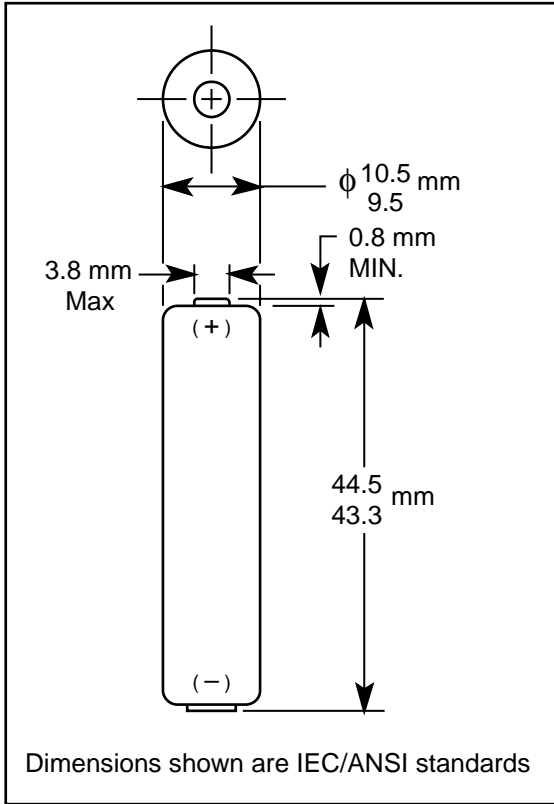
DURACELL®

Alkaline-Manganese Dioxide Battery

MN2400

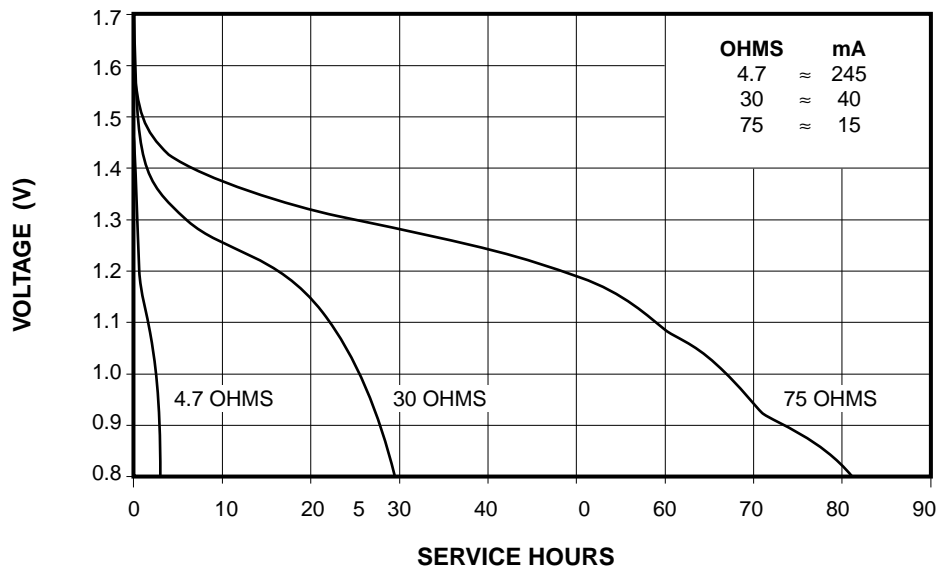
Size: AAA (LR03)

Zn/MnO₂



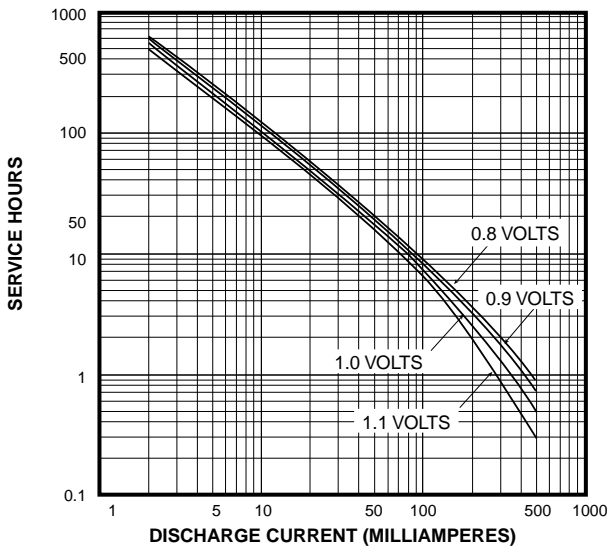
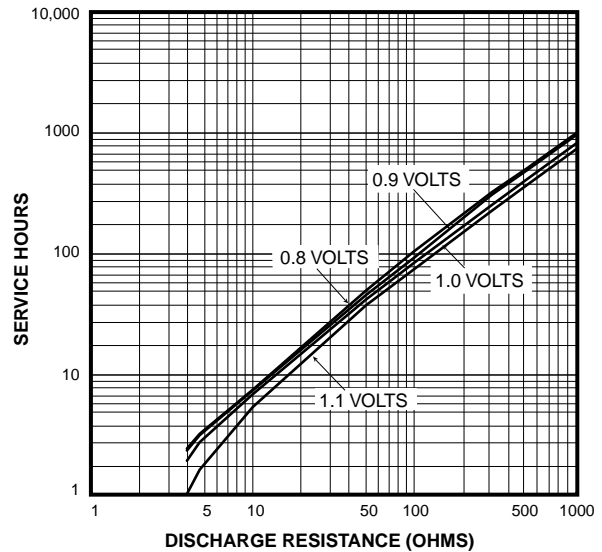
| | |
|-------------------------------------|--|
| Nominal Voltage: | 1.5 V |
| Nominal Internal Impedance: | 317 m-ohm @ 1kHz |
| Average Weight: | 11 gm (0.39 oz.) |
| Volume: | 3.5 cm ³ (0.21 in. ³) |
| Terminals: | Flat |
| Operating Temperature Range: | -20°C to 54°C (-4°F to 130°F) |
| NEDA/ANSI: | 24A |
| IEC: | LR03 |

TYPICAL DISCHARGE CHARACTERISTICS AT 21 °C (70°F)

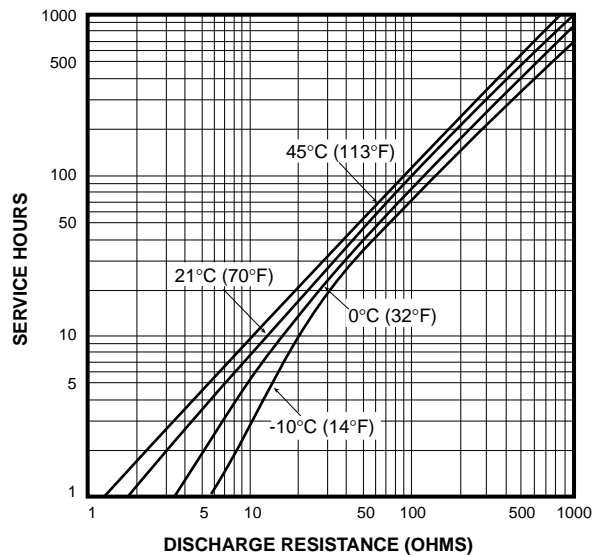


* Delivered capacity is dependent on the applied load, operating temperature and cut-off voltage. Please refer to the charts and discharge data shown for examples of the energy / service life that the battery will provide for various load conditions.

TYPICAL CONTINUOUS PERFORMANCE CHARACTERISTICS WITH CONSTANT RESISTANCE TO VARIOUS CUTOFF VOLTAGES AT 21 °C (70°F)



TYPICAL CONTINUOUS PERFORMANCE CHARACTERISTICS WITH CONSTANT CURRENT TO VARIOUS CUTOFF VOLTAGES AT 21 °C (70°F)



TYPICAL CONTINUOUS PERFORMANCE CHARACTERISTICS WITH CONSTANT RESISTANCE AT VARIOUS TEMPERATURES TO 0.8 VOLTS

DURACELL®
BATTERIES

Berkshire Corporate Park
Bethel, CT 06801 U.S.A.
Telephone: Toll-free 1-800-431-2656
Facsimile: 203-796-4209
Internet: www.duracell.com

* Delivered capacity is dependent on the applied load, operating temperature and cut-off voltage. Please refer to the charts and discharge data shown for examples of the energy / service life that the battery will provide for various load conditions.